



**Novibra® type SIM™**

Type SIM™ is used for vibration isolation of small to medium sized machines:

- Fans
- Pumps
- Compressors
- Refrigeration and air-conditioning
- Engines
- Measurement equipment

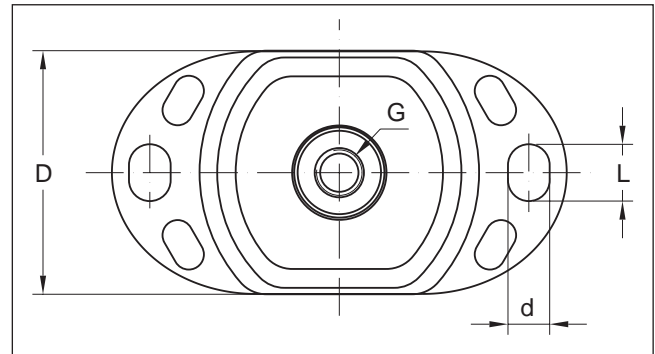
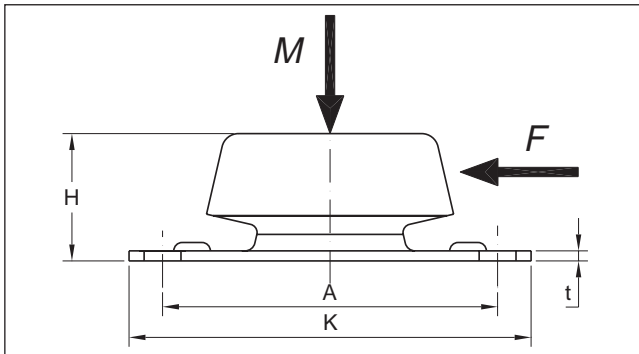
**Features**

SIM is a mounting for mobile applications. The strong metal parts and the soft vertical stiffness combined with high stiffness in the axial direction makes it suitable for suspension of marine engines both with and without thrust bearing.

Its unique construction and the latest production methods make Novibra type SIM a high performance mounting having a number of advantages.

- Low vertical natural frequency 8-9 Hz combined with high axial stiffness, ratio approx  $k_l/k_v=3.5-5.5$ .
- Special designed stronger bottom plate and top cover to withstand high shock loads from tough mobile applications.
- Load range from 50-580 kg.
- Fitted as standard with a shock proof device (up to 5 g) with resilient stop.
- Corrosion protected to cope with arduous environments with treatment Fe/Zn8C as per ISO 2081.
- SIM can be delivered with two types of height adjusters, one standard type HA and one special for higher load requirements.
- Clear and durable product marking. Mountings can be identified after several years in operation.
- Domed shape top cover to protect against oil contamination.

Protected and registered design



Type		Art.No.	Max load <i>M</i> (kg)	Max longitudinal force <i>F</i> (N)	Dimensions in mm							Weight (kg)		
					D	A	K	H	d	L	t		G	
SIM 100-40	(40° IRH)	318100	50	750										
SIM 100-50	(50° IRH)	318130	60	1000	64	100	120	38	11	15	3	M12	0,35	
SIM 100-60	(60° IRH)	318110	100	1400										
SIM 100-70	(70° IRH)	318120	130	2000										
SIM 200-40	(40° IRH)	318140	100	2000										
SIM 200-50	(50° IRH)	318170	150	3000	75	140	175	50	13	20	4	M16	0,75	
SIM 200-60	(60° IRH)	318150	230	4500										
SIM 200-70	(70° IRH)	318160	310	6000										
SIM 300-40	(40° IRH)	318180	220	5000										
SIM 300-50	(50° IRH)	318210	300	6500	112	182	216	70	18	26	5	M20	2,03	
SIM 300-60	(60° IRH)	318190	460	9000										
SIM 300-70	(70° IRH)	318200	580	12000										